

Technical data sheet

Product features



Cooking range solid top gas s troubou

Model	SAP Code	00020645
STPST 780/21 G	A group of articles - web	Stoves



- Device type: Gas unit
- Power consumption of the zone 1 [kW]: 8,5
- Power consumption of the zone 2 [kW]: 6,6
- Power consumption of the zone 3 [kW]: 4
- Ignition: Piezo + Eternal Flame
- Type of internal part of the appliance 1 (eg oven): Gas
- Type of internal part of the appliance 2 (eg oven): Static
- Material: AISI 304 top plate and cladding

SAP Code	00020645	Number of zones	3
Net Width [mm]	800	Power consumption of the zone 1 [kW]	8,5
Net Depth [mm]	730	Power consumption of the zone 2 [kW]	6,6
Net Height [mm]	900	Power consumption of the zone 3 [kW]	4
Net Weight [kg]	130.40	Type of internal part of the appliance 1 (eg oven)	Gas
Power gas [kW]	25.100	Type of internal part of the appliance 2 (eg oven)	Static
Type of gas	Natural gas, propane butane	Solid top dimensions [mm x mm]	370 x 545

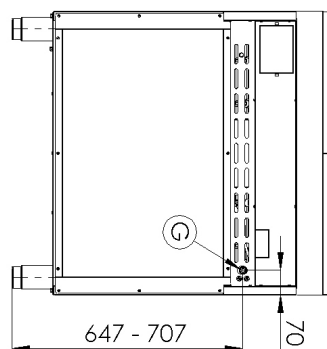
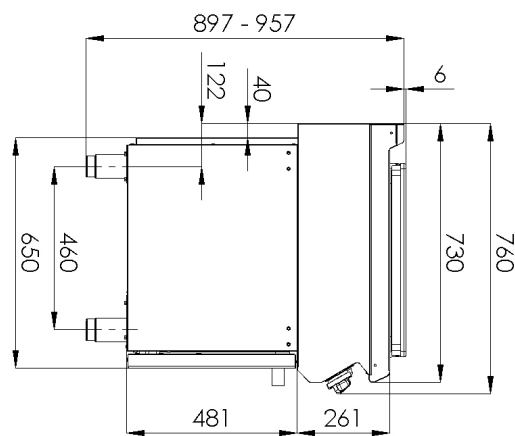
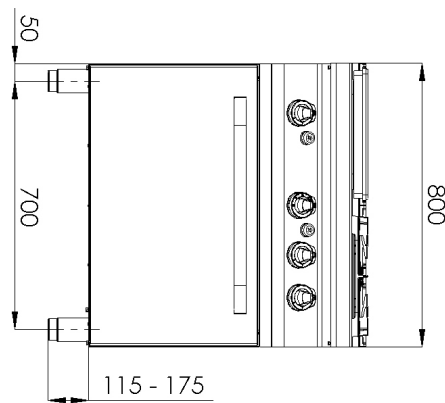
Technical data sheet

Technical drawing



Cooking range solid top gas s troubou

Model	SAP Code	00020645
STPST 780/21 G	A group of articles - web	Stoves



Technical data sheet

Technical parameters



Cooking range solid top gas s troubou

Model	SAP Code	00020645
STPST 780/21 G	A group of articles - web	Stoves

1. SAP Code:

00020645

2. Net Width [mm]:

800

3. Net Depth [mm]:

730

4. Net Height [mm]:

900

5. Net Weight [kg]:

130.40

6. Gross Width [mm]:

840

7. Gross depth [mm]:

800

8. Gross Height [mm]:

1080

9. Gross Weight [kg]:

140.50

10. Device type:

Gas unit

11. Construction type of device:

Stationary

12. Power gas [kW]:

25.100

13. Ignition:

Piezo + Eternal Flame

27. Adjustable feet:

Yes

14. Type of gas:

Natural gas, propane butane

15. Exterior color of the device:

Stainless steel

16. Material:

AISI 304 top plate and cladding

17. Worktop type:

Molded - comfortable cleaning maintenance

18. Worktop material:

AISI 304

19. Worktop Thickness [mm]:

1.50

20. Number of zones:

3

21. Power consumption of the zone 1 [kW]:

8,5

22. Power consumption of the zone 2 [kW]:

6,6

23. Power consumption of the zone 3 [kW]:

4

24. Grid material:

Cast iron

25. Service accessibility:

Trough the frontal panel

26. Safety thermocouple:

Yes

35. Type of internal part of the appliance 1 (eg oven):

Gas

Technical data sheet

Technical parameters



Cooking range solid top gas s troubou

Model	SAP Code	00020645
STPST 780/21 G	A group of articles - web	Stoves

28. Additional information:

Pozor: Toto zařízení není určeno pro přípravu všech typů pokrmů běžně připravovaných v troubě. Podrobné informace o použití zařízení a jeho omezeních naleznete v návodu k použití.

29. Number of burners/hot plates:

3

30. Type of gas cooking zones:

Fire protection to install + Classic burners

31. Burner type:

Brass, detachable

32. Oven Type:

gas static

33. Oven power gas [kW]:

6.00

34. Oven size:

GN 2/1

36. Type of internal part of the appliance 2 (eg oven):

Static

37. Gasket:

Yes

38. Solid top thickness [mm]:

30

39. Solid top dimensions [mm x mm]:

370 x 545

40. Solid top ignition:

Piezo + Eternal Flame

41. Connection to a ball valve:

1/2